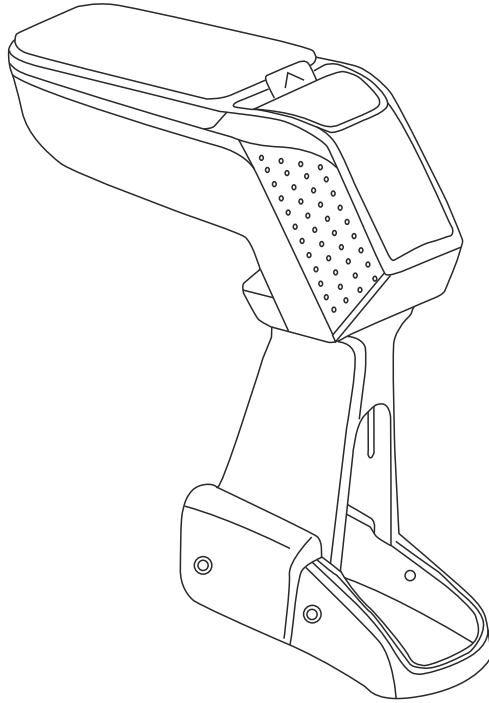
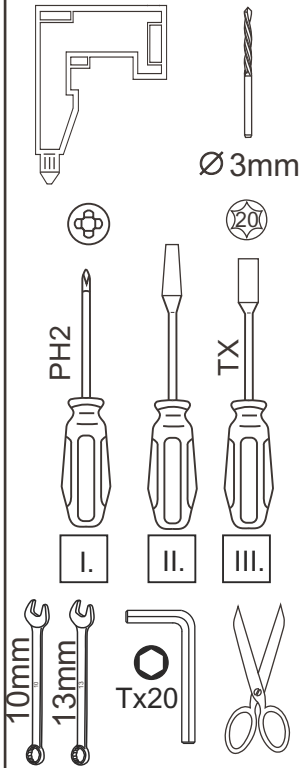
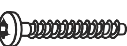



Dacia Lodgy ph1 2012-2015 only for EURO5 cars without S&S

ARMSTER 2:
V00915

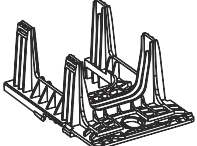
EN	CENTER ARMREST
D	MITTELARMLEHNE
F	ACCOUDOIR CENTRAL
E	ΑΡΟΥΑΒΡΑΖΟΣ CENTRAL
NL	CENTER CONSOLE
I	APPOGGIA BRACCIO CENTRALE
P	CONSOLE
H	KARTÁMASZ
CZ	OPĚRKY RUKY
SK	STREDOVA OPIERKA RUKY
SL	NASLON ROKE
HR	NASLON ZA RUKU
RO	COTIERĂ
RU	ПОДЛОКОТНИК
PL	PODŁOKIETNIK
TR	OTOMOBİL KOLÇAĞI

1 4X  **DF-TORX-KA 40x30**

2 4X  **DIN 9020 4.3**

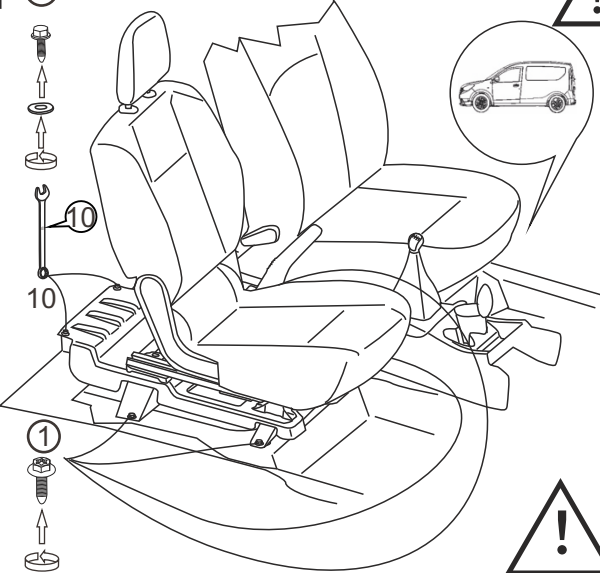

3 4X  **St 4,8X16**

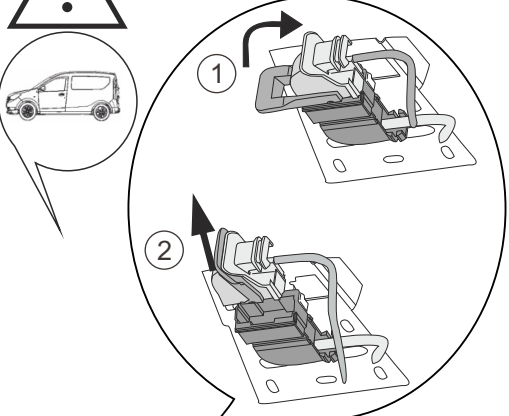

4 1X 



1 



A  **OFF**

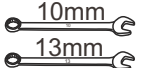
B 

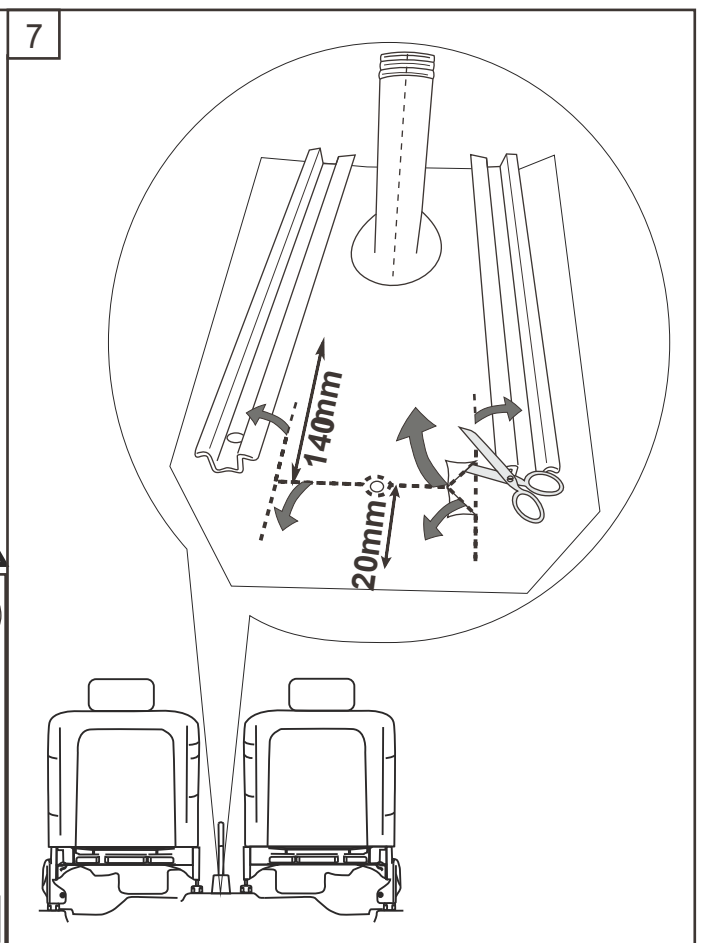
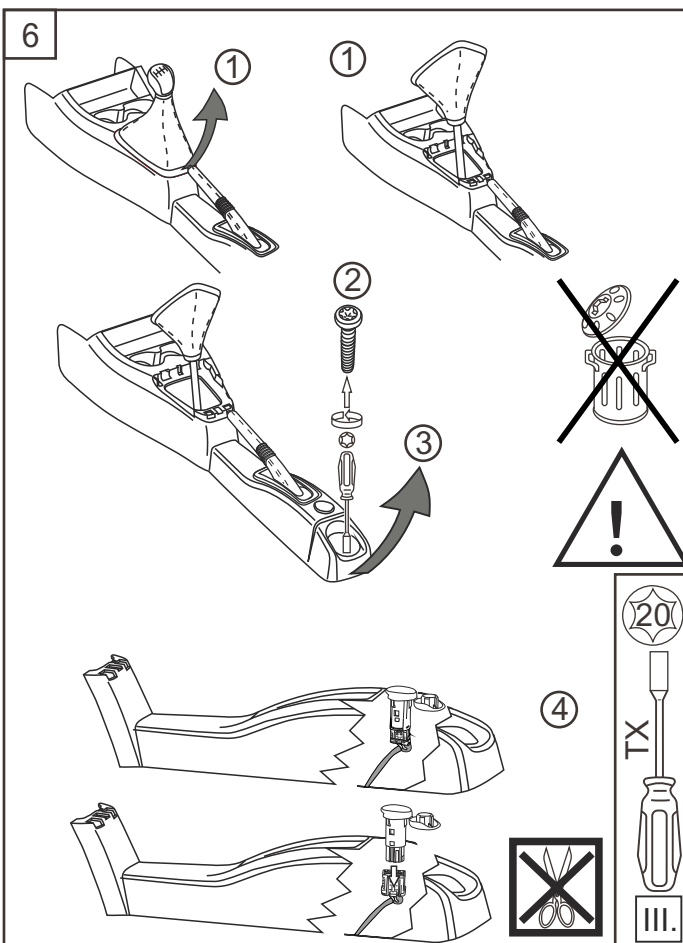
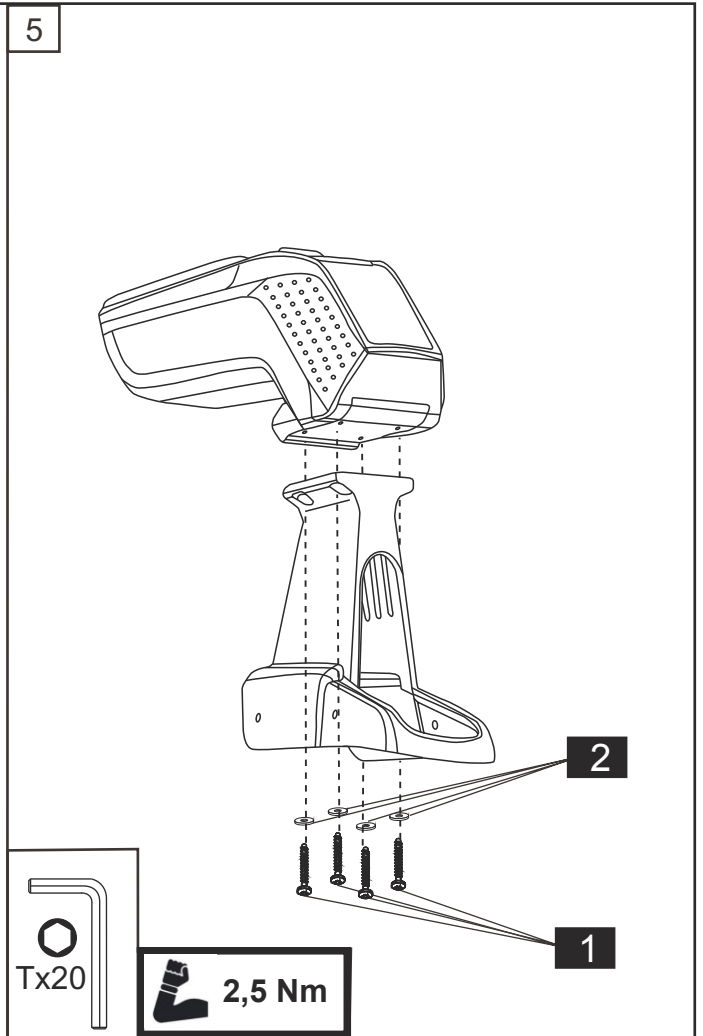
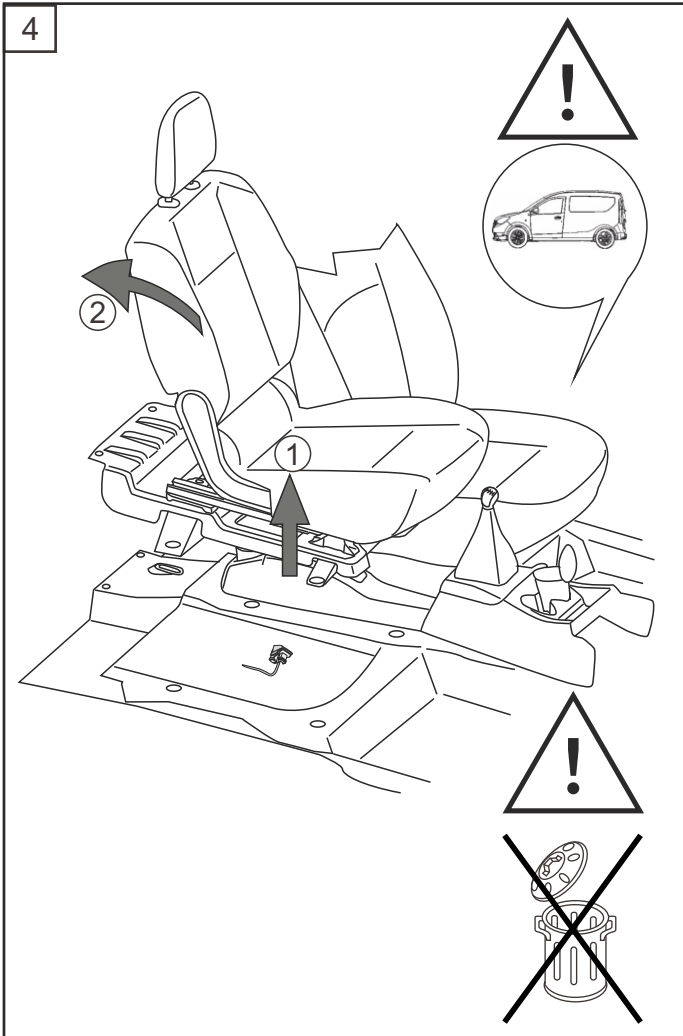
2  

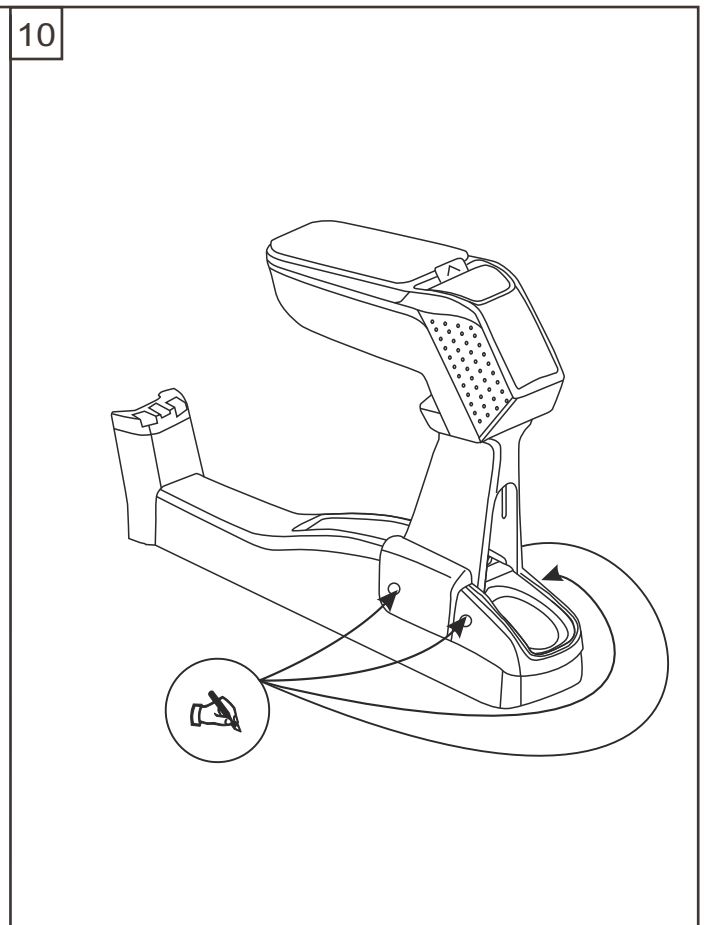
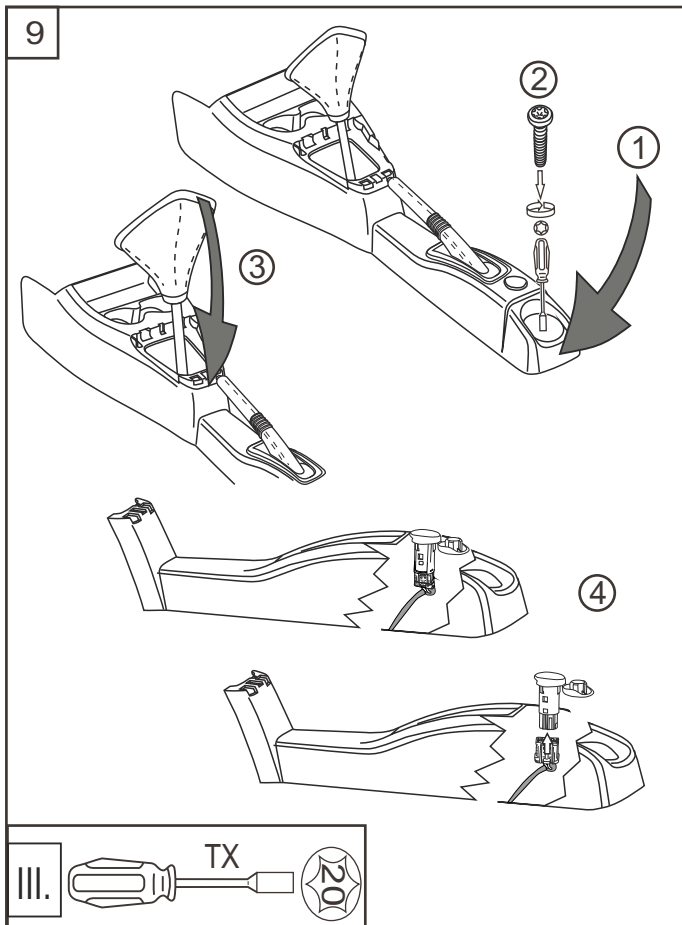
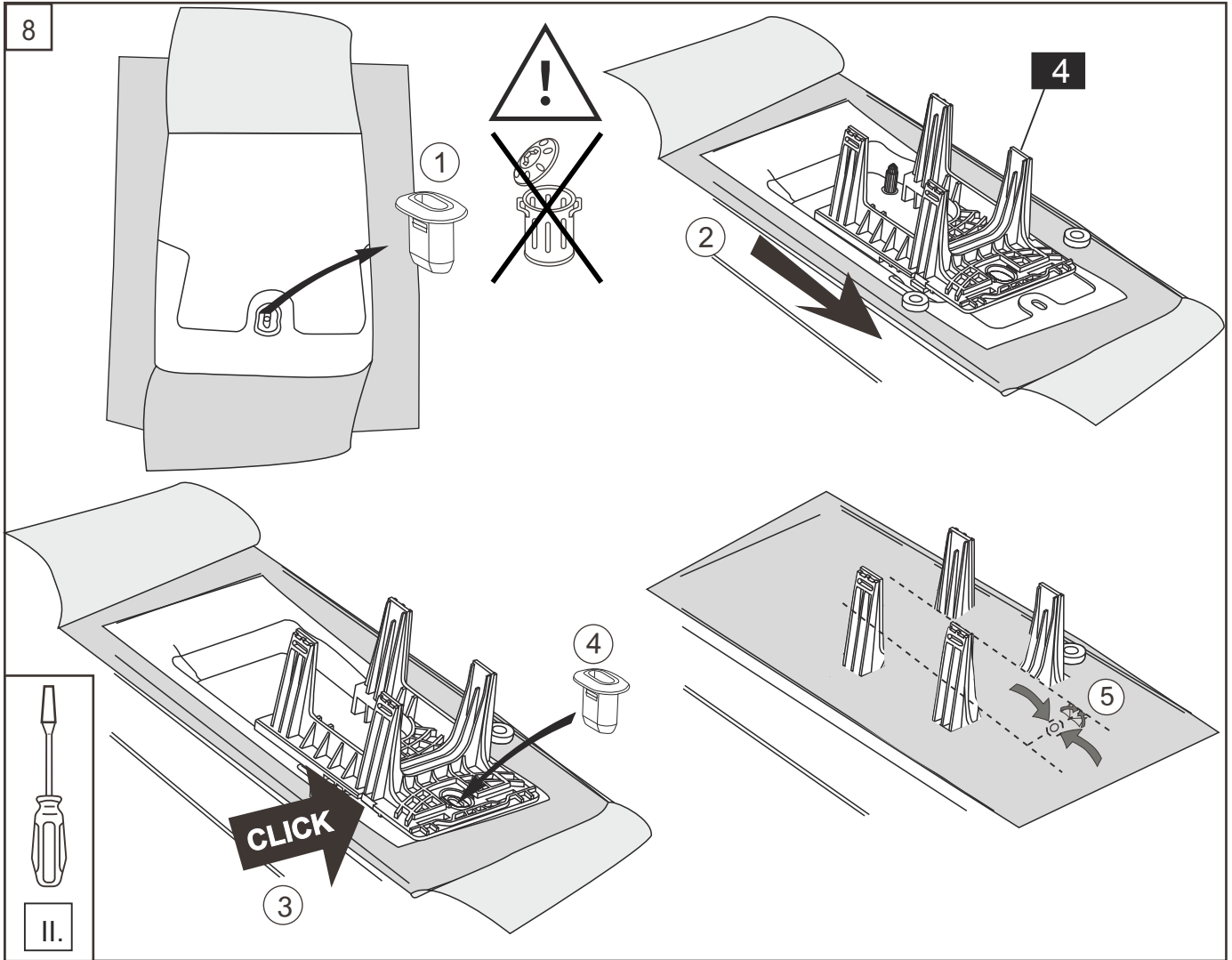
3  

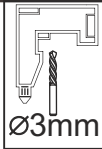
 



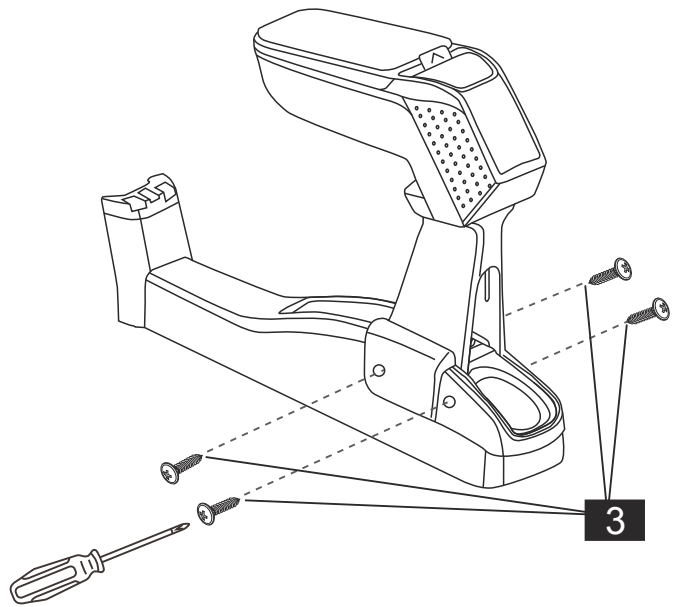
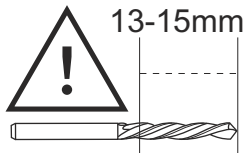
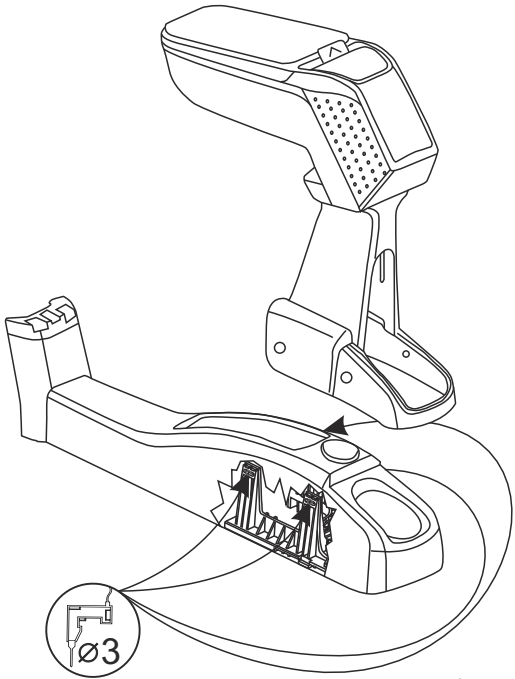




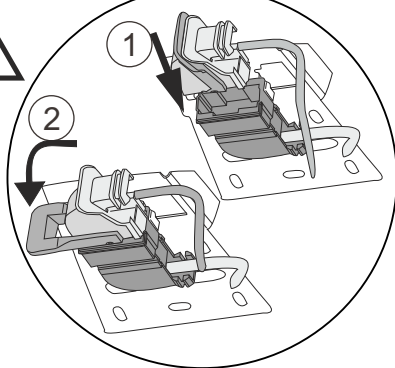
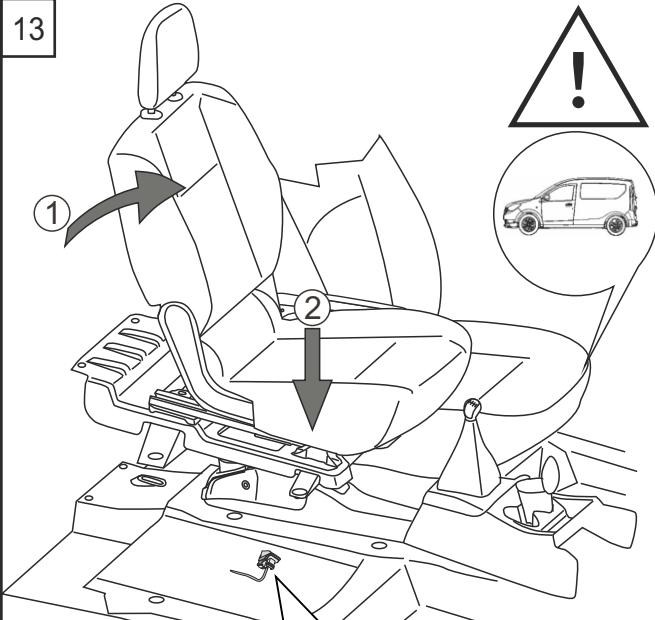
11



12



13



14

